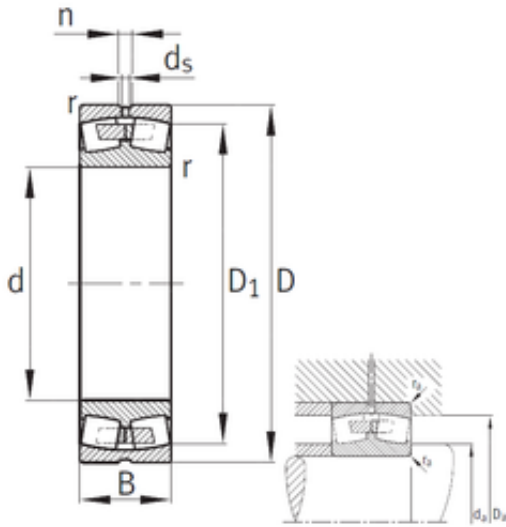




Shandong Weisen Bearing Co., Ltd



260 mm x 400 mm x 140 mm FAG 24052-B-K30-MB Spherical roller bearings

Bearing No. 24052-B-K30-MB

24052-B-K30-MB Bearing 2D drawings and 3D CAD models

Size	260x400x140 mm
Bore Diameter	260 mm
Outer Diameter	400 mm
Width	140 mm
d	260 mm
D	400 mm
B	140 mm
C	140 mm
n	12,2 mm
r min.	4 mm
D1	349,1 mm
da min.	274,6 mm
Da max.	385,4 mm
ra max.	3 mm
d5	6,3 r/min
Weight	64,5 Kg
Basic dynamic load rating (C)	1900 kN
Basic static load rating (C0)	3800 kN
Fatigue load limit (Pu)	204
Reference speed	870 r/min
Limiting speed	1 100 r/min
Calculation factor (e)	0,35
Calculation factor (Y0)	1,89
Calculation factor (Y1)	1,94